

CDC1700S1, COMPACT DISPLAY CONTROLLER

CDC1700S1 is compact sized combined display and I/O module. CDC1700S1 is developed for harsh environment and it meets IP67 protection.

Compact Display Controller can be used in different kinds of control and diagnostic situations. CDC1700S1 can also be connected to larger control systems via a CAN bus.

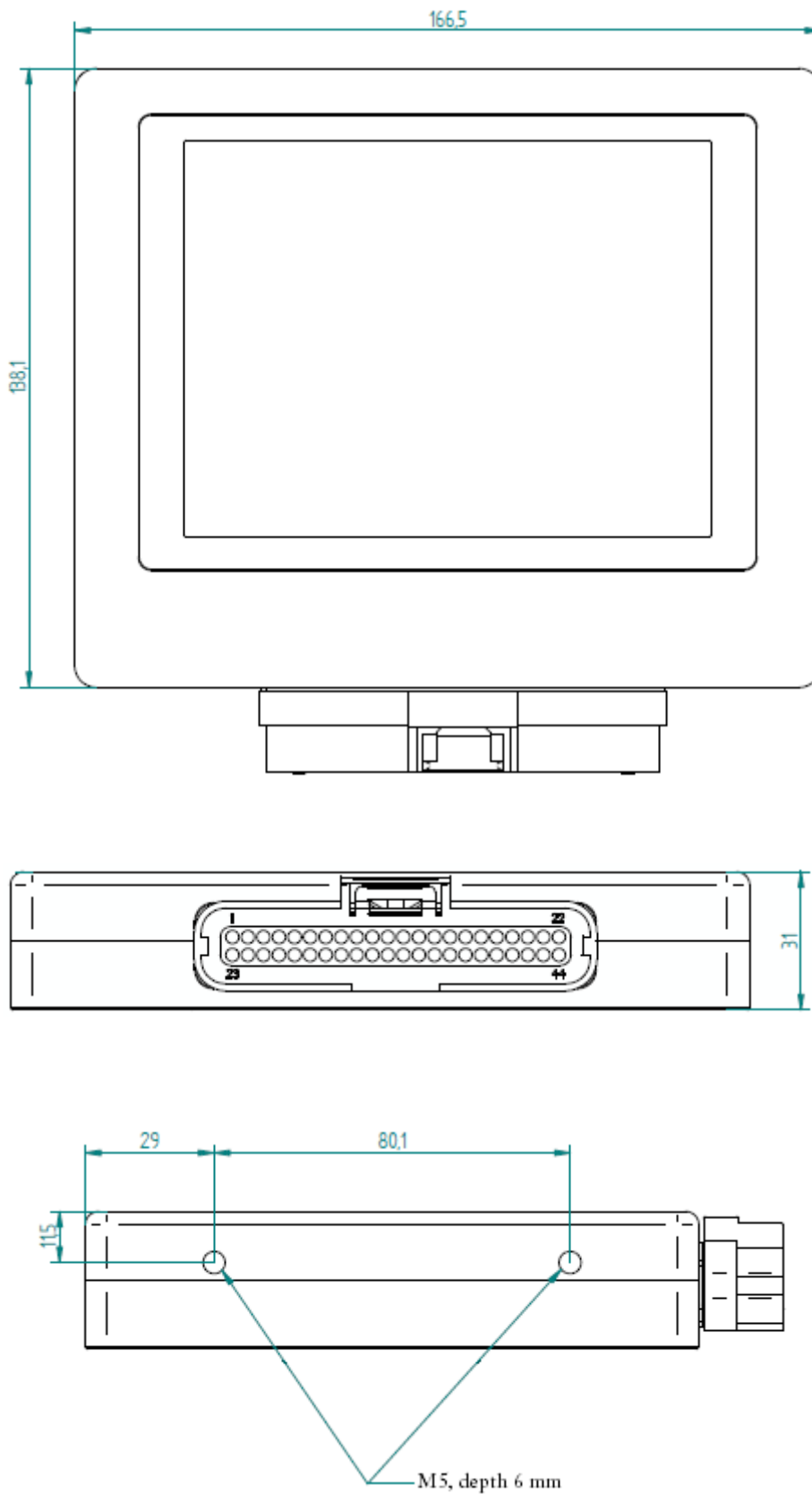
The CDC1700S1 features:

- 32 bit RISC microcontroller
- Internal RTC (Real Time Clock)
- 5,7" VGA colour TFT Display
- 44-pin AMP Super Seal I/O connector with totally 31 configurable I/O lines
- RS232 serial port
- USB host
- Optional 2nd CAN port
- Optional plug/cable shield

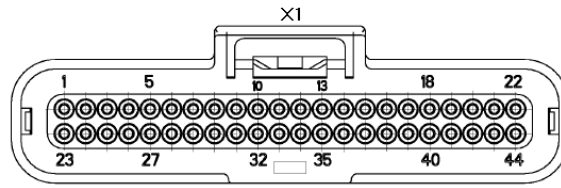


Technical data	
Housing	Aluminium, IP67
Main dimensions (w x l x h)	167 mm x 138 mm X 32 mm
Mounting	4 x M5 / RAM Mount
Weight	0,95 kg
Display	5,7" VGA TFT colour display (resolution 640 x 480)
Memory	32 MB RAM; 8 MB Flash
Operating voltage	9 - 36 V
Operating temperature	-30 °C - +60 °C (-40 °C - +70 °C storage)
Current consumption	< 200 mA (without external load)
CAN interface	
Baud rate	250 kbaud (Default)
Communication protocol	CAN interface 2.0 B, ISO 11898, CANopen
Analog / Digital Input	
	8 pcs, 0 - 10,4 V / 0 - 34,7 mA (selectable with software) Current limitation at 22 mA input resistance 69 kΩ to GND / 300 Ω to GND Over Load Protection
Digital Input	
	11 pcs (9 pcs if CAN2 is used) input resistance 10 kΩ to GND. low < 3,5 V ; high > 5 V
Digital / PWM Output / Input	
	4 pcs High side switch (max 2 A) input resistance 10 kΩ to GND. DI low < 3,5 V ; high > 5 V
DO / DI / Proportional Output	
	8 pcs High side driver (max 2 A) input resistance 10 kΩ to GND. DI low < 3,5 V ; high > 5 V
Serial connection	
	115 kbaud max

Housing dimensions:



Connector structure (view from outside):

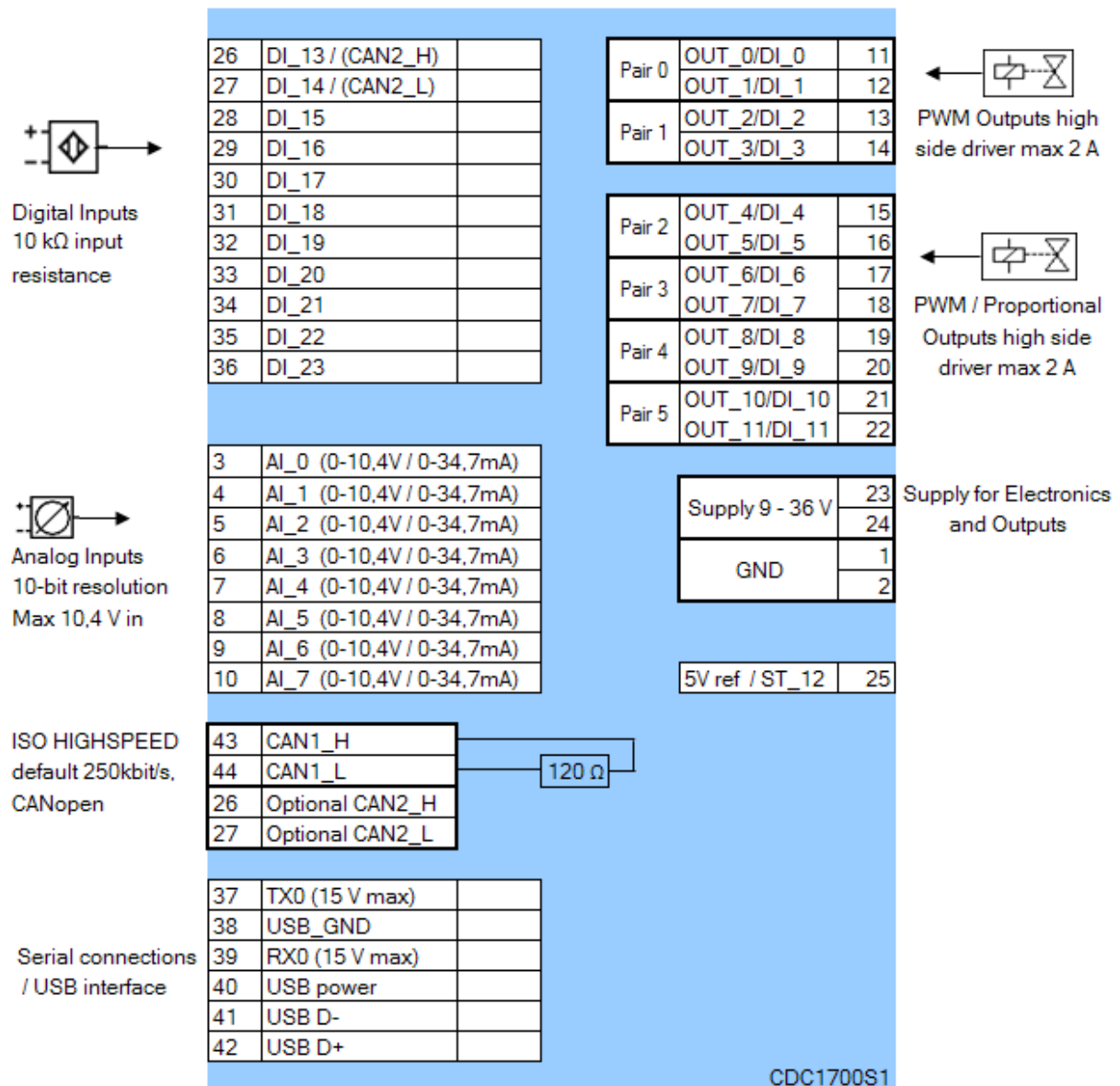


44-pin AMP Super Seal connector: AMP 1376886-1 or AMP 2-1447232-6

AMP Super Seal female contacts (0,75 - 1,25 mm²): AMP 3-1447221-3

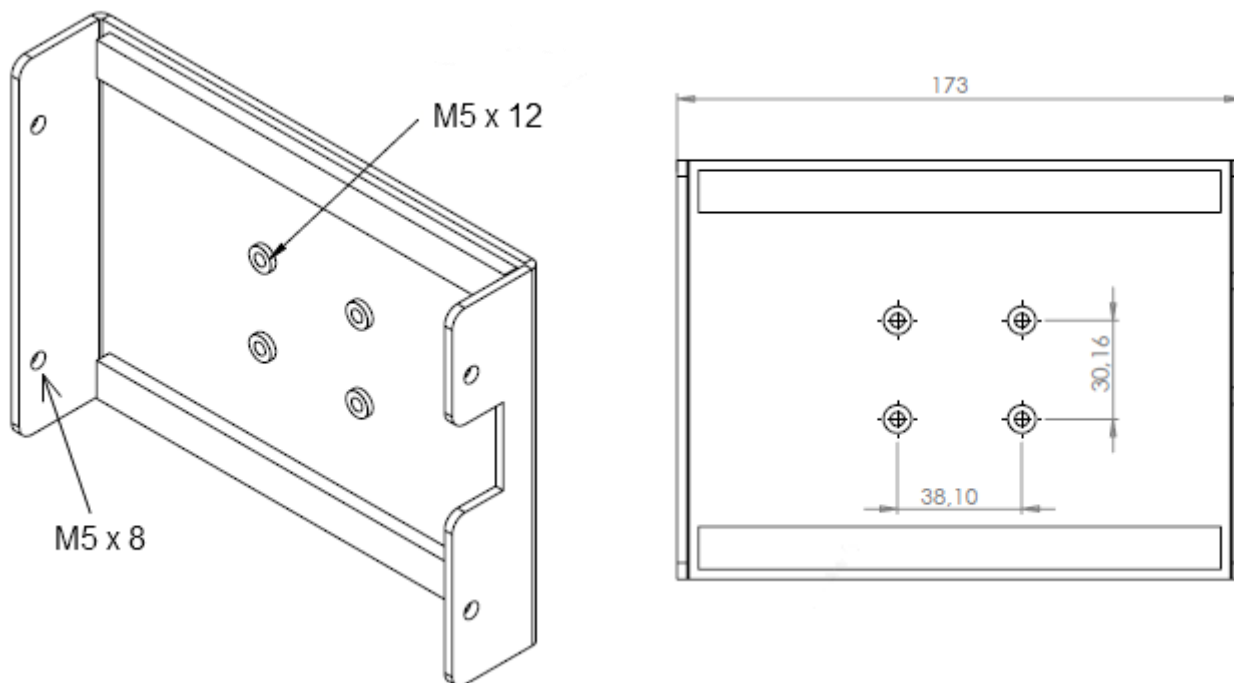
Filler plug to blank spaces: Deutsch 0413-204-2005 (Must be installed to achieve waterproofness)

Block diagram:

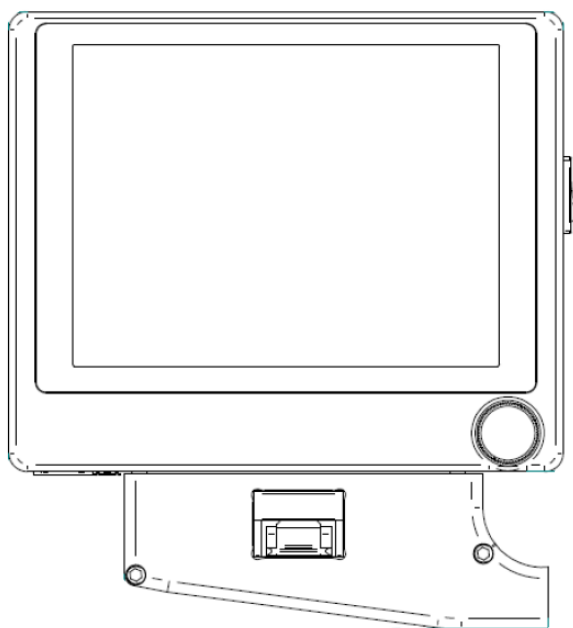


Note: USB cable must be shielded and twisted

CDC1700S / CDC1700S1 RAM mount fixing frame (TU143)



Optional connector housing cover (TU136)



Exertus reserves the right to change product details without prior notice.