

## MCL6000S Machine Control Logic module

MCL6000S module is designed for demanding mobile control systems. Comprehensive I/O interface enables MCL6000S module to be used in wide-range of applications. MCL6000S is equipped with USB connection for safe and easy program downloading. Versatile serial interfaces makes MCL6000S module compatible also for traditional peripheral devices. MCL6000S module is equipped with two separate CAN interfaces.



### TECHNICAL INFORMATION

- Operating voltage: 9 – 32 V
- Operating temperature: - 40 ... + 85 °C
- Housing: Aluminium, IP67 (waterproof)
- Weight: 0,7 kg
- Main dimensions (w x l x h): 109 mm x 214 mm x 47 mm
- 32-bit microprocessor
- AMP Super Seal 26, 34 and 44-pin connectors
- Two separate CAN 2.0 B interfaces, ISO 11898, (default 250 kbit/s)
- Software configurable CAN terminating resistors gain flexibility of CAN bus design
- Internal SD memory card slot
- USB interface
- Battery secured Real Time Clock
- Optional RF interface for remote control
- Optional ModBus

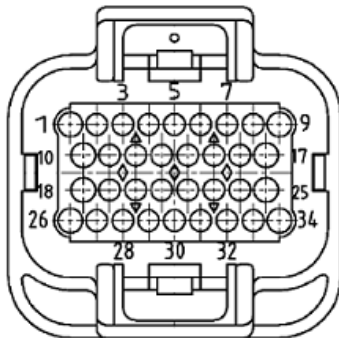
## MEMORY

- 32 MiB RAM
- 10 MiB Flash

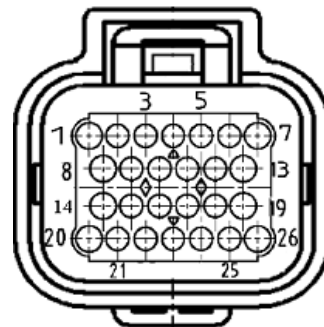
## I/O INTERFACE

- Analog / Digital Inputs: 8 pcs / 16-bit resolution (Analog input type selectable with software between voltage input 0-5 V or 0-20 mA)
- Digital Inputs: 24 pcs, (DI low < 3,5 V ; high > 5 V)  
(4 Frequency inputs)
- Digital Outputs / Inputs: 8 pcs High side switch, max 2,7 A  
(DI low < 1,7 V ; high > 4 V)
- Proportional PWM Outputs / DI: 16 pcs, High side driver, max 2,7 A  
(DI low < 1,7 V ; high > 4 V)
- Proportional outputs are equipped with external supply lines for added safety

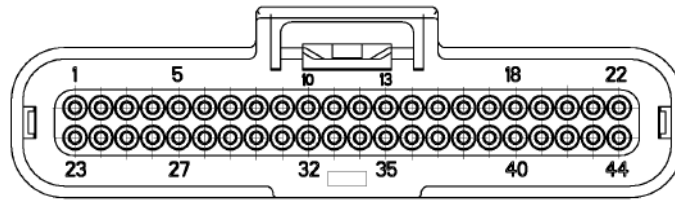
## CONNECTORS



**X1A**  
AMP 4-1437290-0



**X1B**  
AMP 3-1437290-7

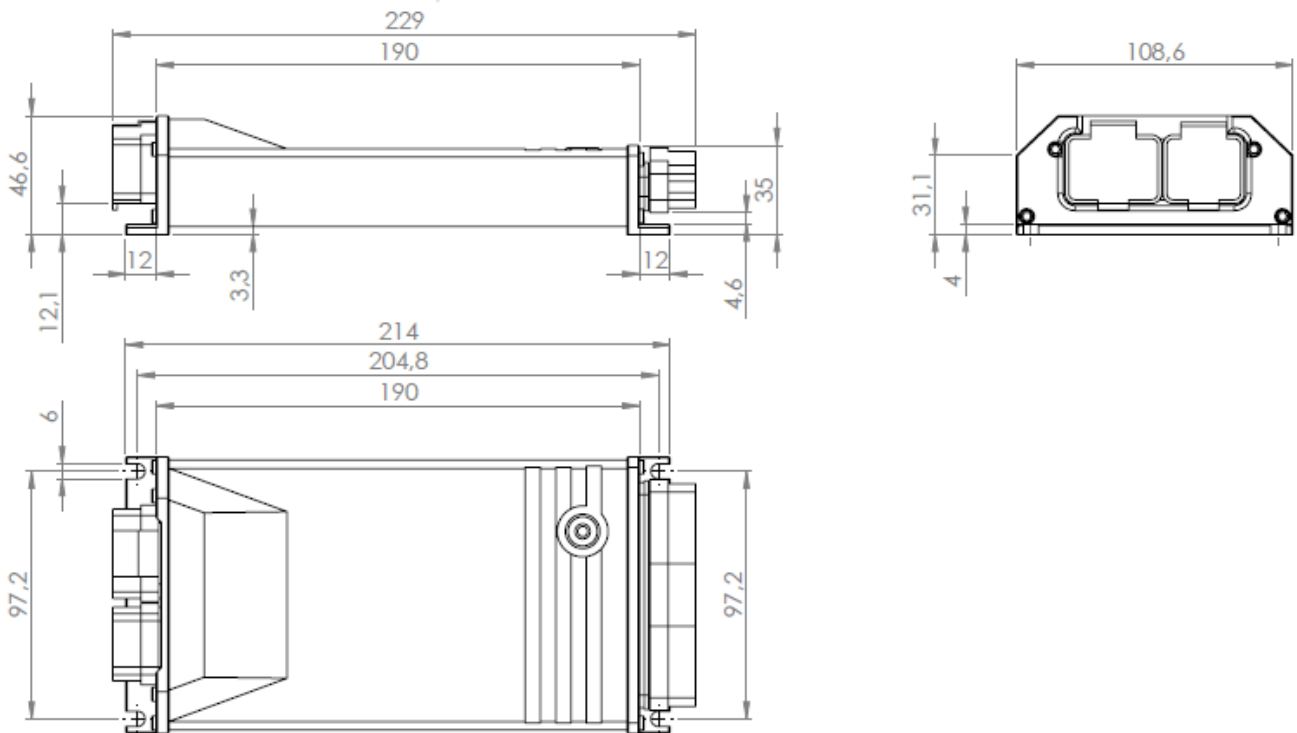


**X2**  
AMP 1376886-1

AMP Super Seal female contacts (0,75 - 1,25 mm<sup>2</sup>): AMP 3-1447221-3

Filler plug to blank spaces: Deutsch 0413-204-2005 (Must be installed to achieve waterproofness)

**HOUSING DIMENSIONS**

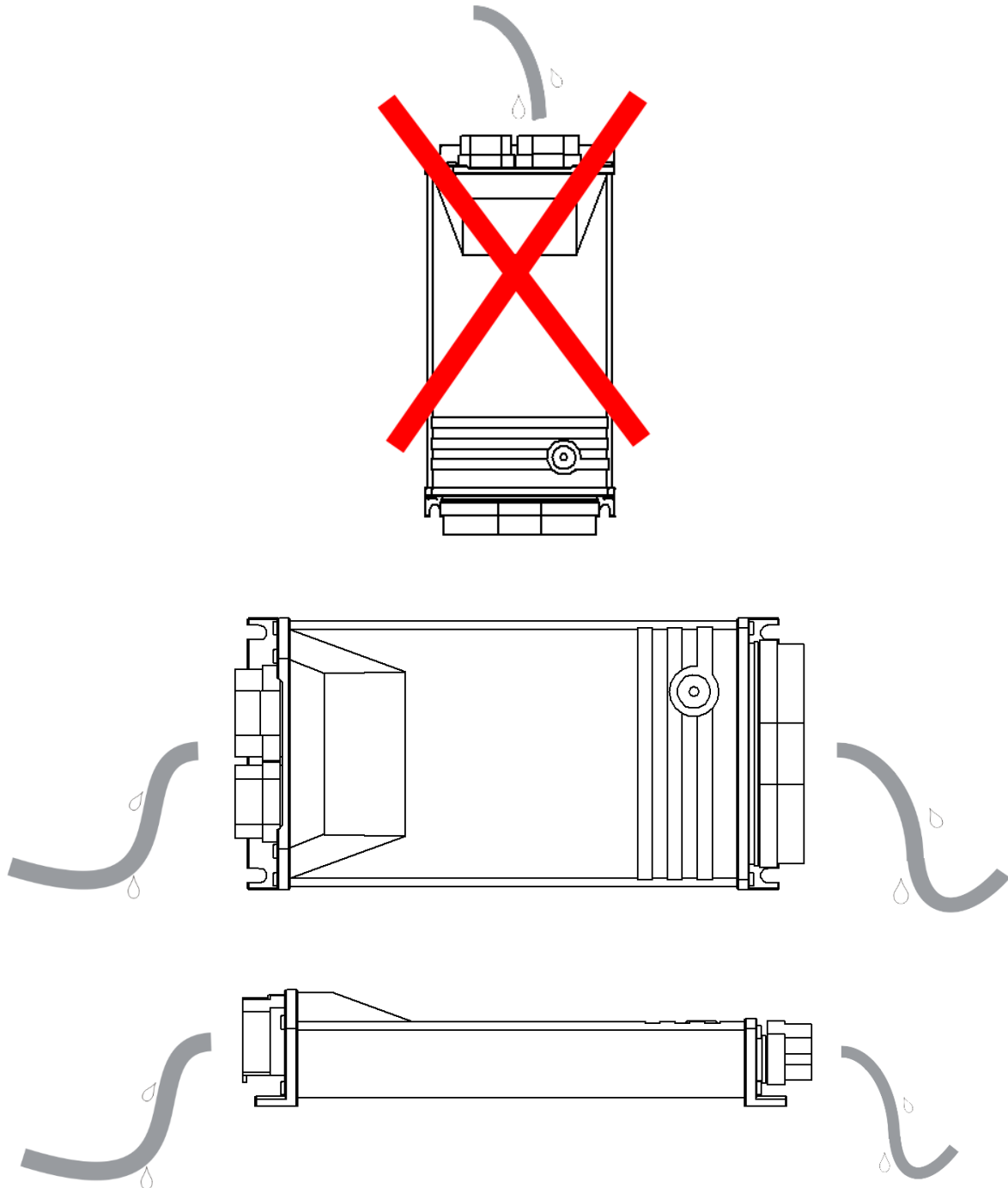


## MOUNTING

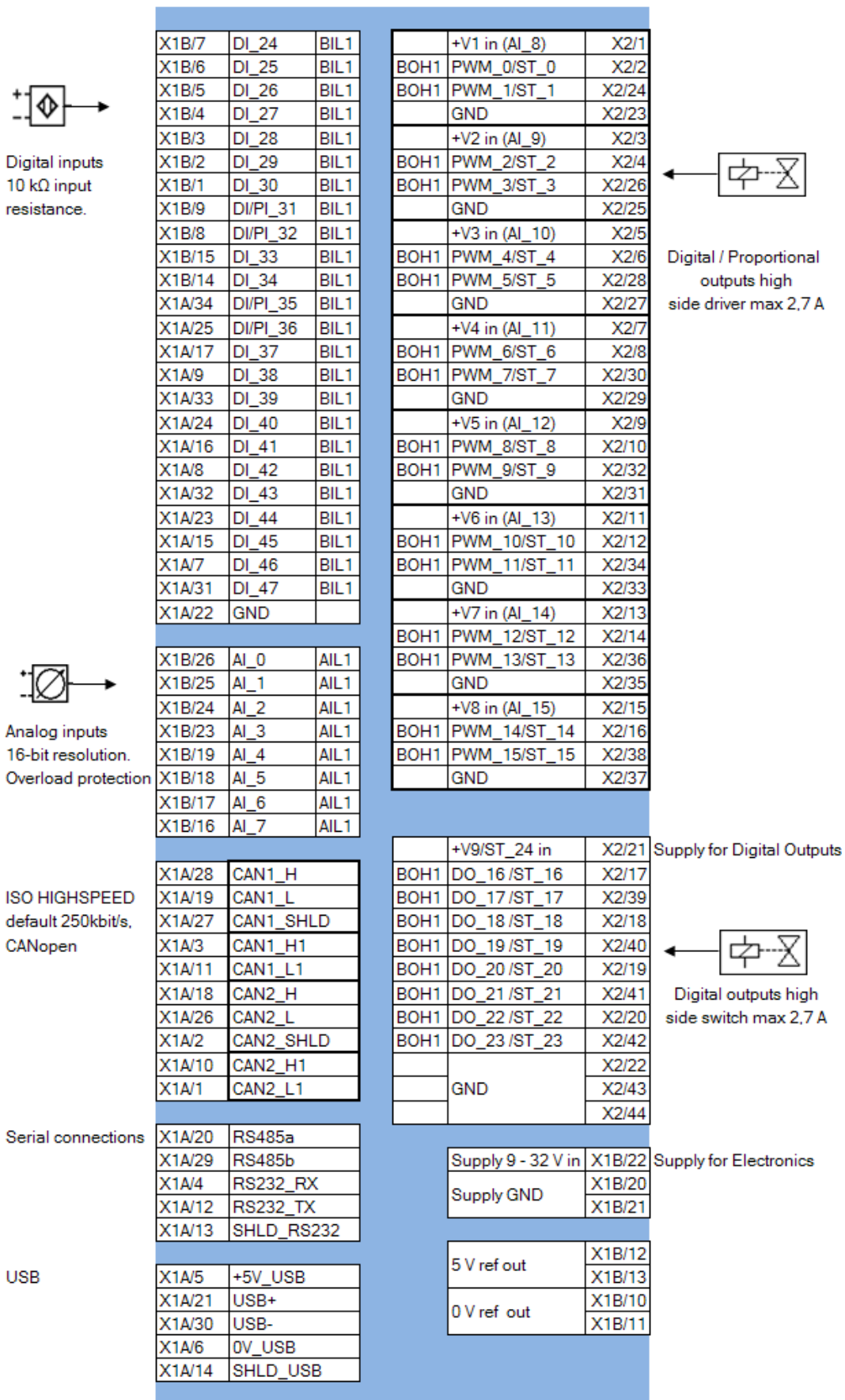
The MCL6000S is fixed to flat surface mounting panel with four M5 screws.

The module should preferably be mounted with connectors pointing downwards.

Because with MCL6000S the top-down position is not possible, the two alternative mounting directions are either vertically or horizontally. With these alternate positions it is vital to leave some loose cabling hanging in a downward curve to prevent any moisture from accessing the module through the connectors.



**BLOCK DIAGRAM**



Exertus reserves the right to change product details without prior notice