

PVC12 PWM to Voltage Converter

PVC12 is 12-channel PWM to Voltage Converter.



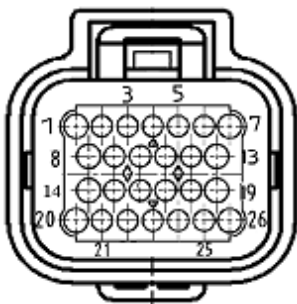
TECHNICAL INFORMATION

- Operating voltage: 12 – 30 V
- Operating temperature: -40...+85 °C
- Housing: Aluminium, IP67
- Weight: 0,2 kg
- Main dimensions (w x l x h): 85,4 mm x 125 mm x 46 mm
- Threshold: 10 V
- Install 1 A fuse to supply line

I/O INTERFACE

- 12-channels
- Output voltage 0 – 12 V, Amplitude 1 V – 12 V
- Input PWM frequency 250 Hz – 12 kHz
- Input PWM amplitude 10 – 30 V

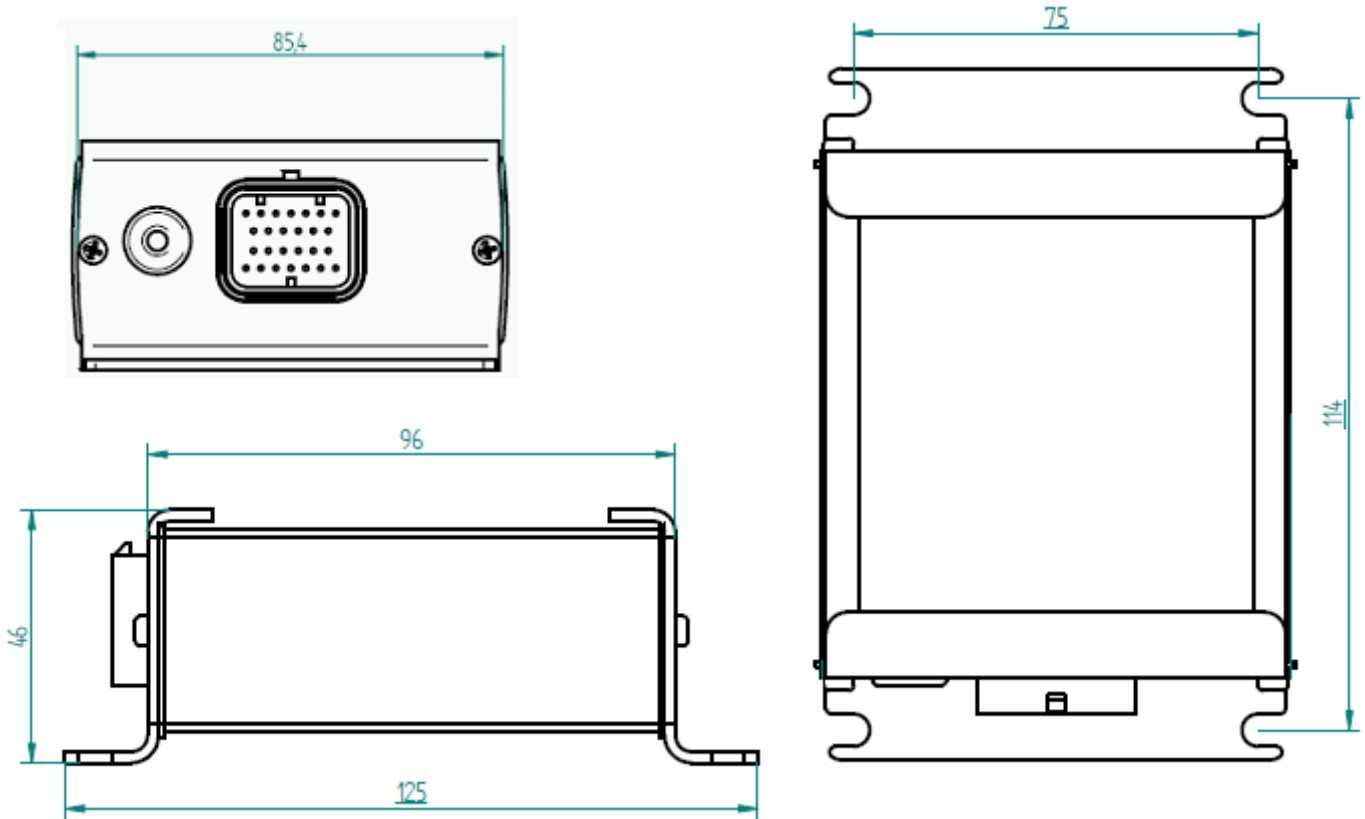
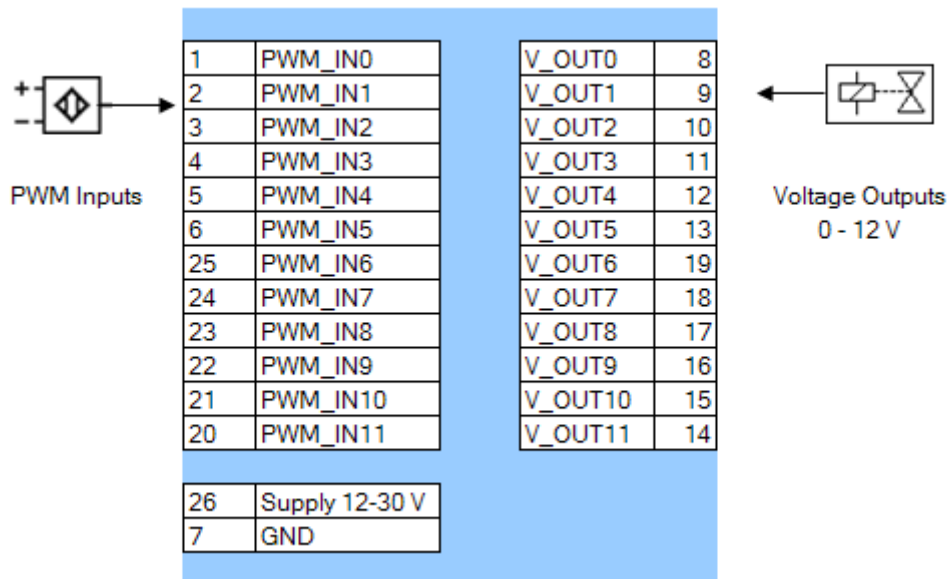
CONNECTOR



Connector: AMP 3-1437290-7

AMP Super Seal female contacts (0,75 - 1,25 mm²): AMP 3-1447221-3

Filler plug to blank spaces: AMP 4-1437284-3 or Deutsch 0413-204-2005. Must be installed to achieve waterproofness.

HOUSING DIMENSIONS

BLOCK DIAGRAM


Exertus reserves the right to change product details without prior notice